

# SHR 2000 INOX

## STAINLESS STEEL RAPID PALLET TRUCK



### STÖCKLIN – YOUR ADVANTAGES

Stöcklin rapid lifting:

- **Work faster thanks to optimal transmission**
- **No idle running during hydraulic level switch over**
- **Low energy consumption thanks to a long drawbar**
- **Minimal maintenance**

In use:

- **Optimum response at all times**
- **Long service life due to 100% stainless steel parts**
- **Low wear and tear on the shaft, bolts and main bearing etc.**
- **It is not a one-job machine - it is worth repairing**

### HYDRAULIC SYSTEM

Fast lifting 2-speed hydraulic system with optimal force – distance transmission. Switch over from rapid to normal lifting directly during the pumping process without extra drawbar running. 1 pumpage is enough to lift even loaded pallets and then to move them. Full lifting with only 3 ½ pump impulses in the fast lifting zone.

### REALIZATION

All steel parts - hydraulic aggregate included - constructed in stainless steel. Steering rollers: gray all rubber wheels on sythetic rims. Steering angle 240°. Load rollers: single rollers made of polyeurethane with a polyamide core. All the wheels are fitted out with closed ball bearings in stainless steel. Shafts fitted into castings that require no maintenance. Pickled surface.

### VALVE CARTRIDGE

The Stöcklin valve cartridge runs all the hydraulic functions such as fast lifting switch and closed lowering.

### ERGONOMY

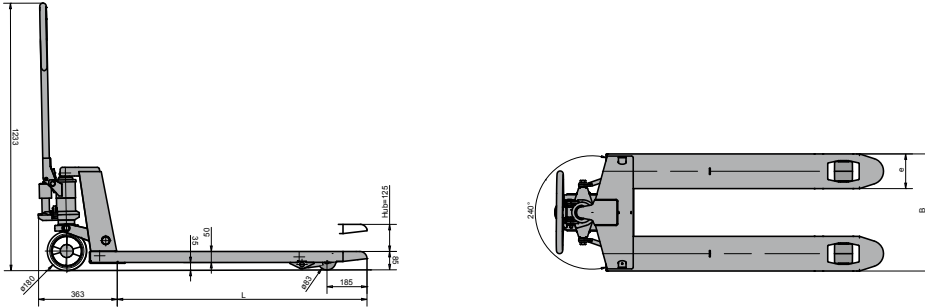
After 50 years experience in building electric pallet trucks, we at Stöcklin know what our customers need. Geometry has constantly been refined, load distribution optimised. All the professionals confirm that the SHR 2000 is easy to handle, pleasant for the operator to drive which makes it easier to carry out the job in less time.

Stöcklin pallet trucks with a fast lifting device have been manufactured for over 30 years.

**Stöcklin**

# SHR 2000 INOX

## TECHNICAL DATA



Type	SHR 2000 INOX	
Model		2012
Load capacity	[kg]	2000
Length of fork	L [mm]	1150
Width	B [mm]	540
Width of fork	e [mm]	160
Interior dimension	b [mm]	220

Special lengths and widths on request

### Further models

INOX – light	everything in stainless steel apart from aggregate and drawbar
INOX – galvanised	only chassis and bearings in stainless steel, aggregate and drawbar in blue, lifting mechanism galvanised
INOX – Pharma	Welding seams welded through, surface polished electrolytically
INOX – Waage	SHR INOX with weighing system
INOX – Atex	Ex-protection, zone 2G IIC T6

Tandem-load rollers (optional).  
Subject to technical modifications



**Stöcklin, or its partners in your region, is at your service to advise you.**

## Stöcklin

**Stöcklin Logistik AG**  
Materials Handling and Storage Systems  
**CH-4143 Dornach**  
Tel. +41 (0) 61 705 81 11  
Fax +41 (0) 61 705 82 25  
E-Mail [unit-f@stoeklin.com](mailto:unit-f@stoeklin.com)  
[www.stoeklin.com](http://www.stoeklin.com)